

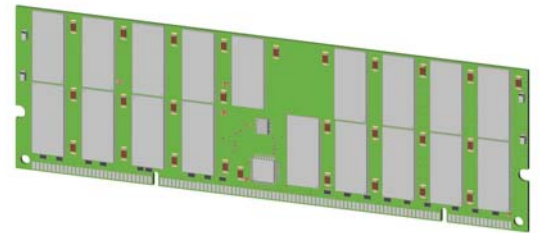
MemoryTen

X7052A OEM 32 Meg X 144 SDRAM 232 Pin DIMM PC-133
 X7052A OEM 64 Meg X 144 SDRAM 232 Pin DIMM PC-133

Features

- PC133-compliant, 232-pin, Dual in-line memory module (DIMM)
- Utilizes 143 MHz SDRAM components
- Registered with Clock Driver PLL
- 1GB (32 Meg X 1444), 2GB (64 Meg X 1444)
- Single +3.3V power supply
- Fully synchronous; all signals registered on positive edge of system clock
- Internal pipelined operation; column address can be changed every clock cycle
- Internal SDRAM banks for hiding row access/ precharge
- Programmable burst lengths: 1, 2, 4, 8, or full page
- Auto Precharge and Auto Refresh Modes
- Self Refresh Mode: Standard and Low Power
- 1GB, 2GB; 64ms, 8192-cycle, (15.626us) refresh interval
- LVTTTL-compatible inputs and outputs
- Serial Presence-Detect (SPD)
- Gold edge contacts

2.0" tall



Representative configuration.

Parameter	1GB	2GB
Refresh Count	8K	8K
Device Banks	4 (BA0, BA1)	4 (BA0, BA1)
Device Configuration	256Mb (32 Meg x 8)	512Mb (64 Meg x 8)
Row Addressing	8K (A0–A12)	8K (A0–A12)
Column Addressing	2K (A0–A9,A11)	2K (A0–A9, A11)
Module Ranks	2	2

PRODUCTION DATA information is current as of publication date.
 Products conform to specifications per the terms of MemoryTen
 standard warranty. Production processing does not necessarily include
 testing of all parameters.

232_pc-133_REVA.PDF
 REV A
 09-09-08

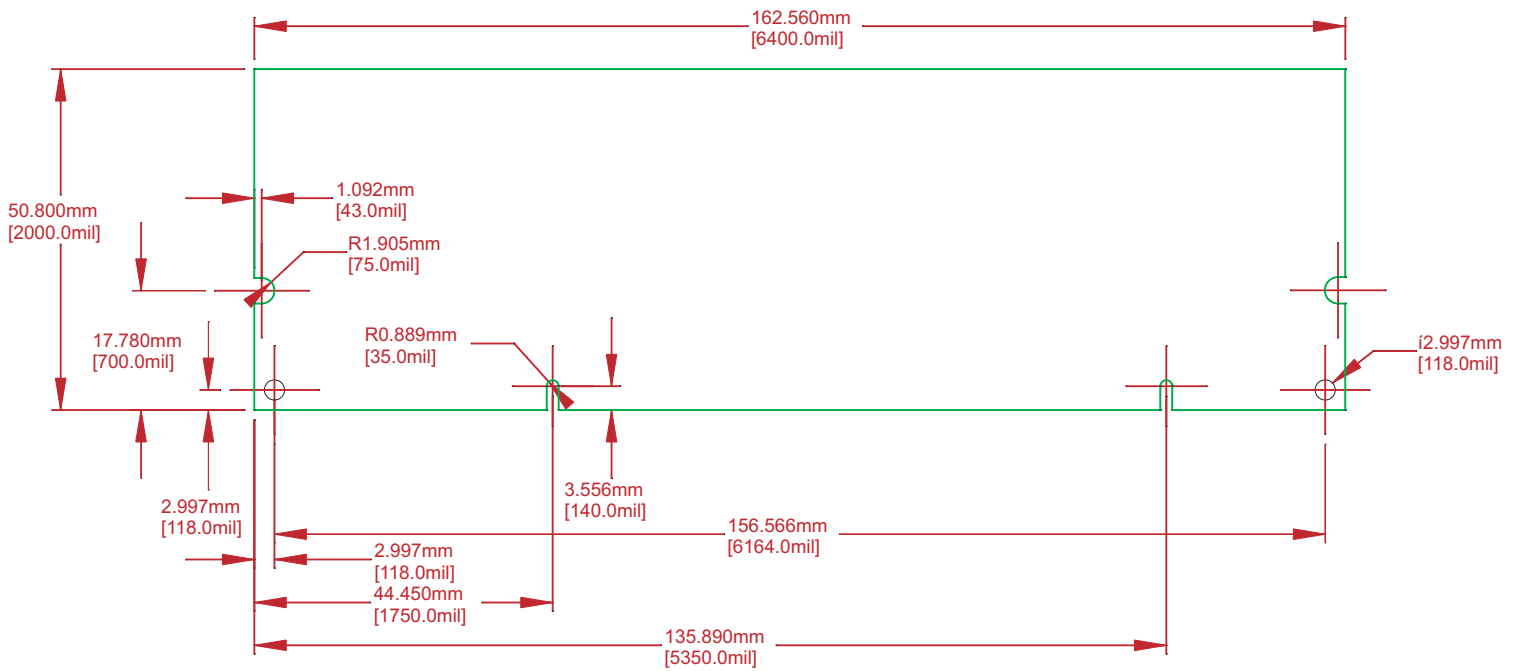
ALL SPECIFICATIONS FOR PRODUCTS DISCUSSED HEREIN ARE SUBJECT TO CHANGE BY MemoryTen WITHOUT NOTICE.

Environmental Characteristics

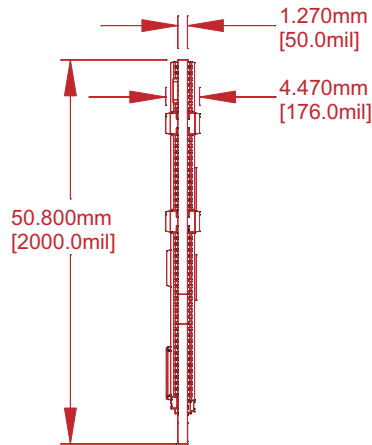
	Operating	Non-operational
Temp.(Ambient)	0 °C to +70°C	-40° C to +150° C
Humidity	10% to 80% Non condensing	5% to 95% Non condensing
Shock	5G	30G
Vibration	.2G	1G
Altitude	3,000M (70Kpa)	12,000M (19.3Kpa)

ORDERING INFORMATION

PART NUMBER	MODULE DENSITY	CONFIGURATION	SYSTEM BUS SPEED
X7052A	1GB	32 Meg x 1444	133 MHz
X7052A	2GB	64 Meg x 144	133 MHz



FRONT VIEW



END VIEW

NOTE: All dimensions in mm (mils).

All information in this data sheet is considered final, however, Memory Ten reserves the right to make changes as necessary.